

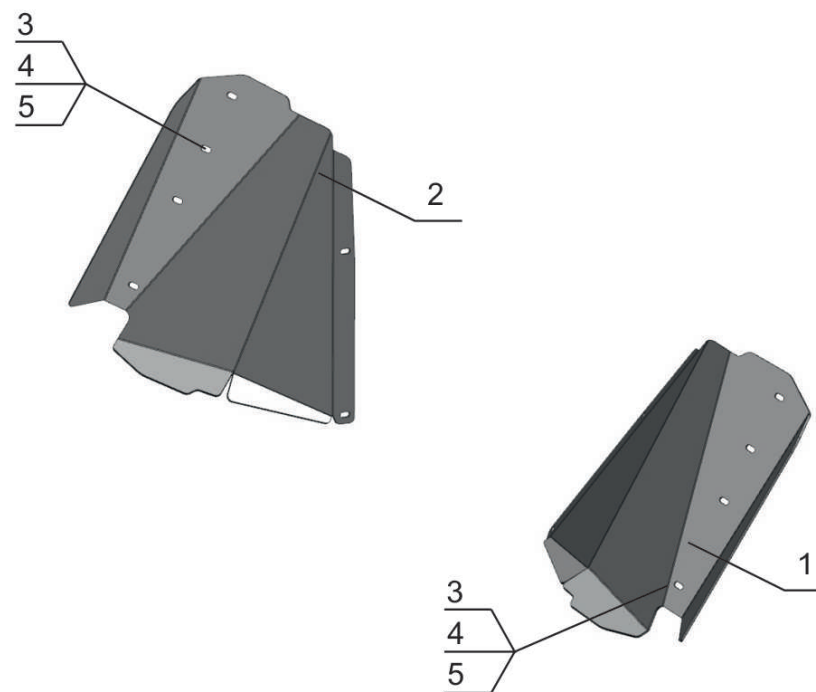
BRP Can-Am / Maverick 1000

No: 2444.7227.1
Brend: BRP Can-Am
Model: Maverick 1000
Year: 2013-
Material: Al - 4 mm



Content

1. Right arch protection.....	1 pc
2. Left arch protection.....	1 pc
3. Screw M6x30.....	8 pc
4. Nut M6.....	6 pc
5. Washer 6.....	14 pc



Installation Instructions

1. Screw out original screws which fixing plastic elements of arches.
2. Fix protections no.1, no.2 with original bolts in the central part of the quad. On the side parts fix them with screws no.3, washers no.5 and nuts no.4.
3. Tighten all screws.

Arch protections are compatible with skid plate kits 444.7207.2, 444.7218.1, 444.7226.1 and with original fender flares.

SCREW FORCE



M6-10 Nm



M8-30 Nm



M10-50 Nm