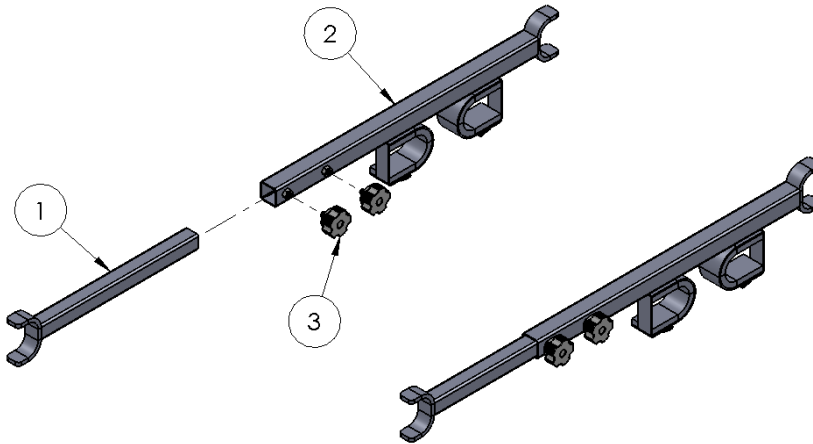




KOLPIN

20078 UTV OVERHEAD GUN CARRIER



ITEM NO.	PART NUMBER	DESCRIPTION	QTY.
1	60079	INSERT TUBE	2
2	60080	OUTER TUBE	2
3	60081	HAND KNOB	4

ASSEMBLY INSTRUCTIONS

1. Sleeve INSERT TUBE (#1) into OUTER TUBE (#2).
2. Place into desired location on UTV frame.
3. Expand assembly so “C” clips fit over UTV frame.
4. Tighten HAND KNOBS (#3) to secure assembly.
5. Use Velcro to secure firearms in foam padded bracket.